

VENICEM

italy

MONDRIAN LED WALL design Massimo Tonetto

Wall lamp with direct and indirect light. Polished black nickel, polished gold, matte black nickel or light burnished brass structure.



VENICEM

italy

MONDRIAN LED WALL

Function	Wall
Location	Interior
Light Emission	Direct and indirect light
Light Source	Strip LED 14,5W 1890lm 2700°K Dimmable 0-10V 1-10V -DALI -Push Botton
Rated Voltage	110 - 120 V / 220 - 240 V
Frequency	50 - 60 Hz
Supply	Terminal block
Ballast	Dimmable ballast included

Certifications

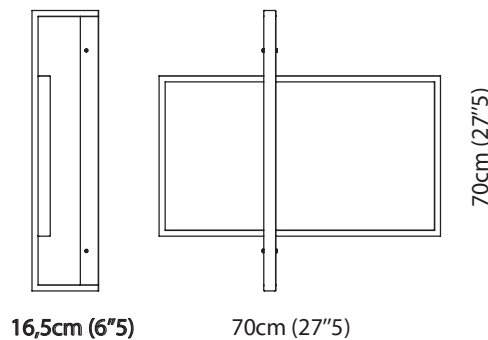


Structure

M04	Polished black nickel
M05	Polished gold
M07	Matte black nickel
M11	Light burnished brass

Package	Dimensions	Net Weight	Gross Weight	Total vol.
	85x85xH.32cm (33"5x33"5x12"6)	6kg	8,5kg	0,23 m3

Dimensions



Kit j-box

