



WEVER & DUCRÉ
LIGHTING

HEXO 1.0 PAR16

146520W0

Project

Type

Notes

Quantity

Date

GENERAL

Ceiling

Surface

Signal White

IP20

Interior

455^a to 460^b lm

RAL 9003^c

LED

Lamp PAR16

PAR16

Socket GU10

max. 12 W

CRI 80

OPTICAL

Beam angle 47°

PHYSICAL

Diameter 127 mm

Height 100 mm

0.63 kg

ELECTRICAL

100 - 240 V

Total connected power 6.6^b to 6.7^a W

PC1

Safety distance 0.3 m

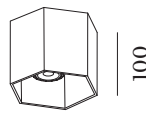
^a LED 3000K CRI 80 white

^b LED 2700K CRI 80 white

^c RAL Palette colors may deviate slightly due to production conditions.

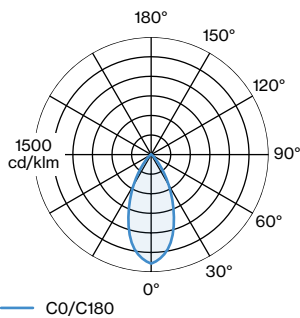


Hexagonal ceiling surface mounted downlight made from die-cast aluminium; surface Signal White; powder coated; matt texture; RAL 9003; optional single inner cover available; lamp socket GU10; lamp type PAR16; max. 12W; 100 - 240 V; degree of protection IP20; PC1; UGR 16; VDU compatible workplace luminaire according to DIN EN 12464-1; luminance above 65° 1500 cd/m²; lamp not included;



127

LIGHT DISTRIBUTION





WEVER & DUCRÉ
LIGHTING

HEXO 1.0 PAR16

146520W0

CONE DIAGRAM

LED 2700K CRI ≥ 80 White

h (m)	EO° (lx)	ø (m)
1	643	0.88
2	161	1.75
3	71	2.63
4	40	3.50
5	26	4.38

OPTICAL

Single Inner Cover

TYPE	COLOUR	L · W · H (MM)	ORDERCODE
HEXO max. 10W	Black	77.4-67-54	9 1 1 0 3 1 B 1
HEXO max. 10W	Gold	77.4-67-54	9 1 1 0 3 1 G 1
HEXO max. 10W	White	77.4-67-54	9 1 1 0 3 1 W 1

LED LAMPS

PAR16 LED Lamp

TYPE	COLOUR	Ø · H (MM)	ORDERCODE
2700K >90 CRI GU10	Black	ø50-58	9 0 1 2 2 8 B 3
3000K >90 CRI GU10	Black	ø50-58	9 0 1 2 2 8 B 5
2700K >80 CRI GU10	White	ø50-58	9 0 1 2 2 8 W 2
2700K >90 CRI GU10	White	ø50-58	9 0 1 2 2 8 W 3
3000K >80 CRI GU10	White	ø50-58	9 0 1 2 2 8 W 4
2700K >80 CRI GU10	Silver	ø51-55	9 0 5 2 2 7 S 2
3000K >80 CRI GU10	Silver	ø51-55	9 0 5 2 2 7 S 4