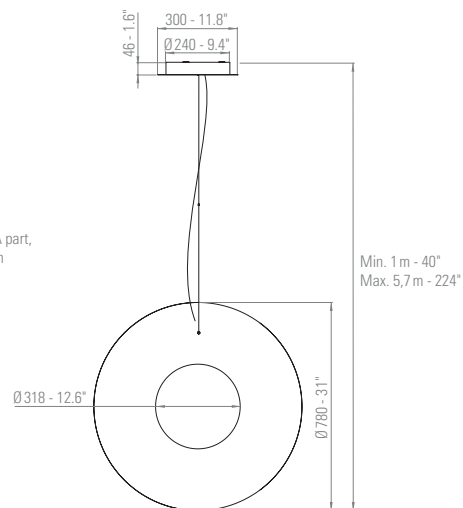


155 - 60°
spacer included.
Transparent PMMA part,
it limits the rotation
of the suspension



IRIS PENDANT VERTICAL 80 de Fabrice Berrux

FICHE TECHNIQUE TECHNICAL SHEET



SUSPENSION

PENDANT LAMP

Matériaux
Materials
Taffetas de polyester, aluminium, acier
Polyester taffetas, aluminium, steel

Poids net
Net weight
3,45 kg

Emballage
Packaging
875 x 105 x 875 mm

IP
IP
20

Tension
Voltage
230V (110V pour la version CETL)
230V (110V for CETL version)

Classe
Class
1

Watt
Watt
49W

Source
Source
LED intégrée 2700K, gradable TRIAC
Integrated LED 2700K, dimmable TRIAC

Lumens
Lumens output
7350 lm

Driver
Driver
Driver interne fourni
Gradable TRIAC intégré 60W / 2,5A / 24V
Option DALI ou CASAMBI sur demande
Integrated driver supplied
TRIAC dimmable 60W / 2.5A / 24V
DALI or CASAMBI option on request

Câble
Wire
Longueur: 5 m
Length: 5m

Interrupteur
Switch
NA

Fiches
Plug
NA